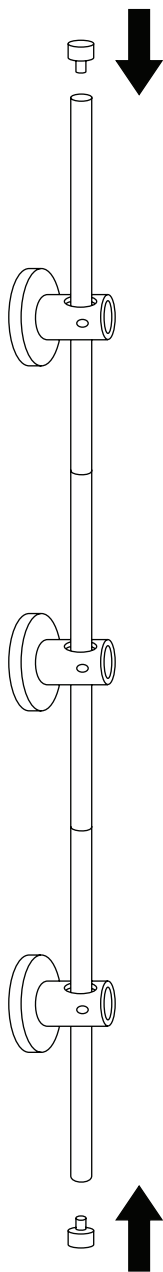
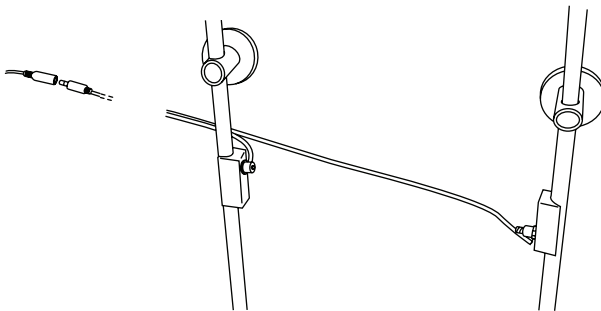


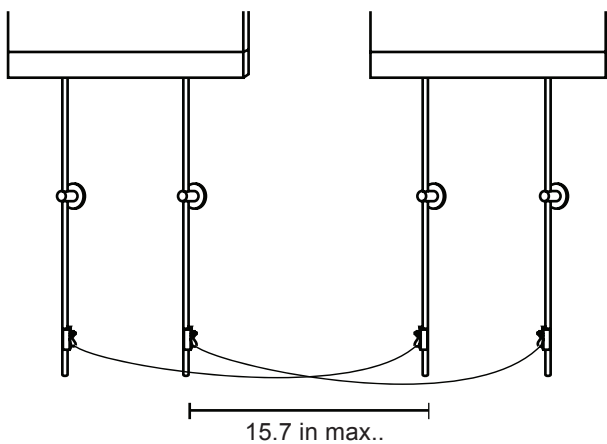
- 4** Repeat the steps for each column or row. Threaded rod caps are included to complete the look (if desired).



- 5** Connect power supply clips to rails as shown below, red left/blue right. Connect power supply. Attach clip panel to the rails. When clip panel is attached properly, logo on face will be visible at the top/right landscape and bottom/right portrait. (See polarity diagram)

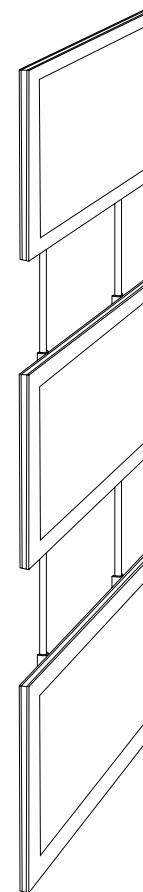


- 6** OPTIONAL: To connect multiple rail sets, mount the additional rail set a maximum of 15.7 in. away. Use rail extension cables to connect additional rail kit section; ensure the polarity is being respected (red left/blue right).



Note: Longer connector cord may be required for increased distance between wall rails.

VM WALL User Guide

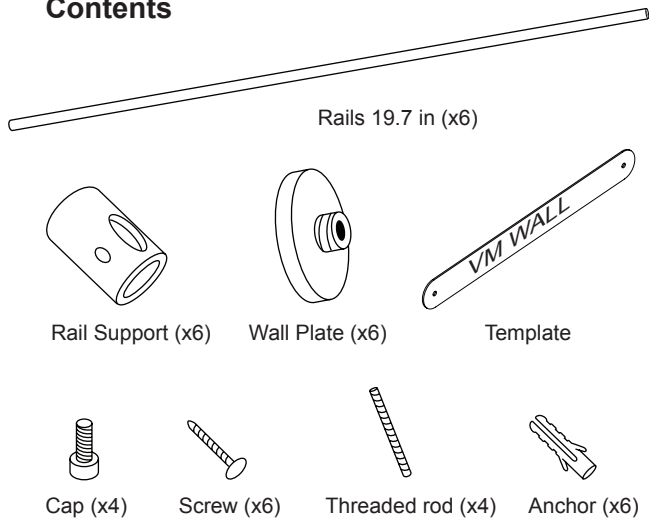


*Additional Installation information
including videos available at*

DeeSign.com/displays

LED@DeeSign.com

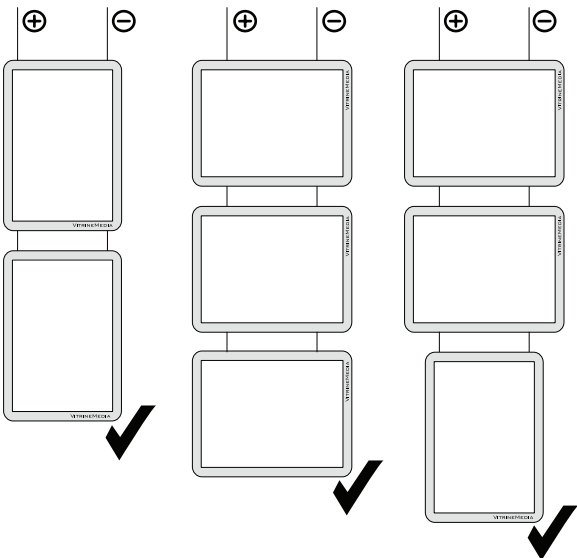
Contents



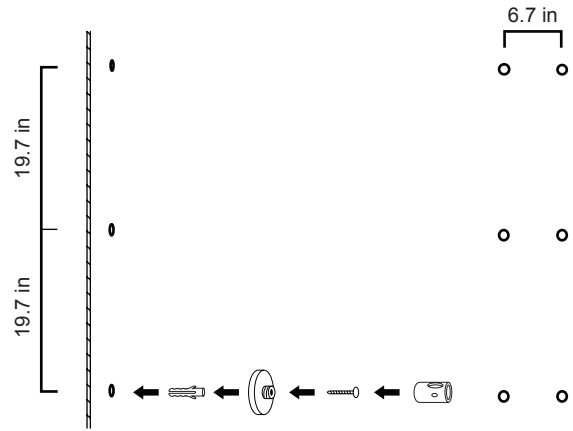
Recommended Tools

- Drill
- Measuring Tape
- Level
- Phillips Screw driver
- Hacksaw
- Appropriate wall anchors
- Allen wrench (provided)

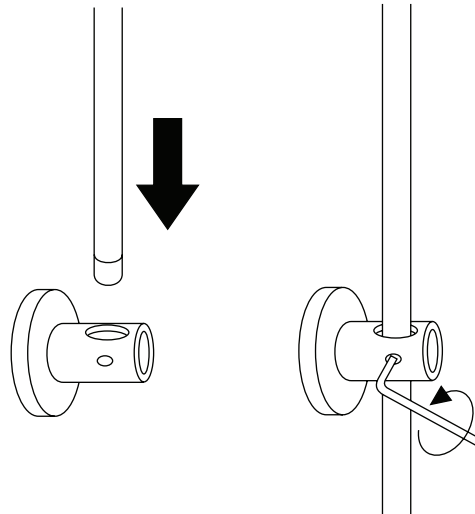
POLARITY MATTERS



- 1** Using the provided template and level, mark spots on the wall where holes will be drilled for the wall plates. Holes should measure 6.7 inches apart. Keep in mind your desired panel location in relation to the mounting hardware. Drill holes and insert appropriate anchors for wall. Using the screws provided, attach wall plate and rail supports to the wall.



- 2** Insert rail into support. Tighten the allen set-screw, located on the support, when rail is in correct position. Repeat this step when connecting additional rails.



- 3** Insert the threaded rod to attach additional rails to desired length. Tighten rails firmly to maintain continuity.

